

oci tron

yi n@oci tron.com

Industrial Hose&Cable Reels



全系列产品线的优质工业卷盘供应商
The most abundant product line up

CONTENTS 目录

力山·墨尼佩德在卷盘设计上加入了大量的创新和实验论证，最大程度的在客户使用体验上进行考虑，带着专业的心态和使命感对待产品的每一个细节，卷盘的耐用、便捷、高性价比、长寿命、易维护等是Super-reel的产品优势，也是不变的产品导向。

Resan.Moniped treat every detail of the product with a professional attitude and sense of mission. Durable, convenient and high cost performance, long life, easy to maintain are the advantages of the products, based on the innovation and customer experience at the greatest extent when design.

力山·墨尼佩德 卷盘应用 REELS USES :

- **Blasting/slurry** 爆破/泥浆
- **Pressurized air** 压缩空气
- **Hydraulic/pneumatic Power tools** 液压气动工具
- **Fuel and lubrication** 燃料/润滑
- **Washdown and sanitation** 冲洗/环卫
- **Electric cable for lights Tools , and machinery** 工具/设备电缆
- **Power wash/steam cleaning** 高压水/蒸汽清洗
- **Firefighting** 消防
- **Potable water** 直饮水
- **Gas welding** 气焊/电焊
- **Vacuum and suction** 真空吸排
- **Wind power** 风电换油
- **Offshore drilling platform** 海上钻井平台
- **Chemical transfer** 化学品输送

REEL type	Hose/Cable type	Page
卷盘	软管/线缆 规格	页数
How to order		
卷盘订购说明		4
Superreel Spec Worksheet		
选型信息输入表		5
SRSH370 SRSH500 SRSH680		
弹簧回收单管卷盘		6
SRTH370 SRTH500 SRTH680		
弹簧回收并联管卷盘/气焊卷盘		7
SRDH370 SRDH500 SRDH680		
弹簧回收液压双管卷盘		8
SRSC370 SRSC500 SRSC680		
弹簧回收电缆卷盘		9
MR&PR(manual & power rewind series)		
手动/液压/电机/压缩空气 驱动卷盘		
MRSH370&MRSC370	-----	10
EPRSH500&EPRDH500	-----	11
MRDH500&EPRSH680	-----	12
Frame reel & TB		
大型框架卷盘/平衡器/防静电卷盘		13
B		
工程臂架往复卷盘/叉车卷盘		14
VAP & CUST		
油气回收用卷盘/非标定制卷盘		15
Reel accessories & Safety info & Back cover		
卷盘配件/安全事项		16

HOW TO ORDER 如何订购正确的卷盘

卷盘产品编码示例 Examples for product code of reel

S R T H 5 0 0 S 0 1 0 1 6 0 1 5 C S F M - A

方向
FM/VM/RT/RB/LT/LB

材质属性 material attribute (电缆卷盘无此项cable reel without this)

CC : 碳钢结构件+碳钢流道 carbon steel with carbon steel flow pass

CS : 碳钢结构件+304不锈钢材质流道 carbon steel with SUS304 flow pass

CSS : 碳钢材质+316不锈钢材质流道 carbon steel with SUS316 flow pass

CU : 碳钢结构件+黄铜材质流道 carbon steel with brass flow pass

SS : 全304不锈钢材质 all SUS304

SSS : 304不锈钢结构件+316不锈钢流道 SS304 with SUS316 flow pass

SSSS : 全316不锈钢材质 all SUS316

长度属性 length attribute

015:15m 100:100m

说明 note

电缆卷盘进口标配0.5m线

0.5m inlet wire in the standard configuration for cable reel

压力属性 stress attribute

016 : 1.6MPA 200:20MPA

单根线的平方数 diameter of single wire

016 : 1.6mm²

通径属性 DN attribute

01:1/4" 02:5/16" 03:3/8" 04:1/2" 05:5/8" 06:3/4"
07:1" 08:1-1/4" 09:1-1/2" 10:2 " 11:2-1/2" 12:3"

电缆芯数 Core number of cable

01 : single core cable

支撑形式 support form

S : single support D : double support

系列属性 series attribute

卷盘盘体近似直径 the similar diameter of the reel

型号特殊说明属性 各产品页中详细说明



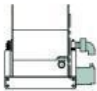
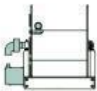
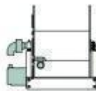
Detailed in the model in the special instructions of each product page

前置描述 Pre-description

SR:弹簧驱动spring rewind ; EPR: 电机驱动electrical power rewind ; HPR : 液压驱动hydraulic power rewind PPR : 气动驱动pneumatic power rewind ; MR 手摇 manual rewind SH : 单管 single hose ; TH : 焊管/并联管 twin hose ; DH : 双管 dual hose MH : 多管 More than two ho -ses SC : 单根电缆 single cable ; B : 工程往复臂架卷盘boom reel ; F : 大型框架卷盘 frame reel ; TB : 平衡器/防静电卷盘 tool balancers & grounding reel ; VAP : 油气回收卷盘 vapor recovery reel ; CUST : 定制卷盘 custom engineering reel ; For example : SRTH : spring re -wind twin-hose reel ;

Spec Worksheet 卷盘信息输入表

信息输入表是作为卷盘便捷选购以及配置的必要参数输入，可以在官网填送或下载；

1.who is the reel for ? 客户信息					
Contact:				Date:	
Company:			Email:		
Address:					
Telephone:			Fax:		
2.what is the reel for ? 卷盘用途			3. Type of rewind&installation 结构以及安装		
HOSE软管参数 (check one) <input type="checkbox"/> Storage <input type="checkbox"/> Live Single hose <input type="checkbox"/> Live Dual hose			MANUAL REWIND手动 (check one)		
Hose ID.:	Hose Length:	Bend Radius:	<input type="checkbox"/> Disc rewind	<input type="checkbox"/> Gear-drive	<input type="checkbox"/> Direct crank
Hose OD.:	Hose Weight:	Coupling Spacing:	<input type="checkbox"/> chain	<input type="checkbox"/> other:	
Type of product handled live application :(check one)流体参数 <input type="checkbox"/>			POWER REWIND手动 (check one)		
<input type="checkbox"/> Liquid	<input type="checkbox"/> Temperature:	<input type="checkbox"/> Oxygen/Acetylene	<input type="checkbox"/> Air	<input type="checkbox"/> Spring	<input type="checkbox"/> Hydraulic
<input type="checkbox"/> Gases	<input type="checkbox"/> Pressure:	<input type="checkbox"/> Hydraulic fluid	<input type="checkbox"/> Electric(voltage):		
<input type="checkbox"/> Other:			Type of installation(check one):安装方式		
Fluid path type:(check one)通径材质 <input type="checkbox"/> Steel <input type="checkbox"/> Aluminum <input type="checkbox"/> Stainless Steel <input type="checkbox"/> Other:			<input type="checkbox"/> Floor	<input type="checkbox"/> Wall	<input type="checkbox"/> Overhead
Reel inlet type:(check one)入口形式 <input type="checkbox"/> 90° joint(male) <input type="checkbox"/> Straight(male)			<input type="checkbox"/> Vehicle	<input type="checkbox"/> movable(speed):	
Reel outlet type:出口尺寸以及形式 <input type="checkbox"/> Vehicle <input type="checkbox"/> movable(speed):			<input type="checkbox"/> Other:		
Size螺纹尺寸:			4.Environment&Accessories 环境以及附件		
Thread(check one) <input type="checkbox"/> metric system <input type="checkbox"/> US(NPT) <input type="checkbox"/> UK(BSPT) <input type="checkbox"/> JIC 螺纹标准 <input type="checkbox"/> Other:			Temperature Range : 使用温度 :		
CABLE线缆参数 (check one) <input type="checkbox"/> Storage存储 <input type="checkbox"/> Live带电工作			Working Environment:		
Number of conductors,or wire gauge:芯数		Voltage(V) :		Accessories:	
Cable OD:	Cable Length:	Amperage(A):		<input type="checkbox"/> Roller <input type="checkbox"/> Hose /Cable stop	
Bend Radius:	Cable Weight:	Other:			
5.Finish 涂装以及表面处理					
<input type="checkbox"/> Painted(color) :		<input type="checkbox"/> Electrostatic spray(color):		<input type="checkbox"/> Polished	<input type="checkbox"/> Unpolished
6.Location of components and roller position for spring reels 部件位置、进出口以及导向架方向					
VM	FM	RT-Right Top Rewind	RB-Right Bottom Rewind	LT-Left Top Rewind	LB-Left Bottom Rewind
					

SRTH370 SRTH500 SRTH680 弹簧回收并联管卷盘/气焊卷盘

SRTH SERIES REEL SPECIFICATIONS

Capacity 容量

SRTH370 to handle 1/4" though 5/16" I.D. twin hose.
 SRTH500 to handle 1/4" though 5/16" I.D. twin hose.
 SRTH680 to handle 5/16" I.D. twin hose.

Swivel 旋转密封

Superreel 采用全自主技术的旋转密封机构，自润滑，磨损小；极限流量的设计，结构紧凑流量最大化；本系列全部采用高精度橡胶密封件杜绝泄露；

Superreel have its own intellectual property rights for many types of swivels, self-lubricating, small erosion, maximum full flow details when design, compact-sized structure; high precision rubber seals are used in this series;

Design & Structure 结构和设计

紧凑型双支撑配合左右两侧入口，稳固可靠性高；优化了更适用于双管的力度以及回收曲线；开放性的结构设计，全盘可轻松拆卸至单个零件；（注意高能弹簧伤害，勿擅自拆开）；

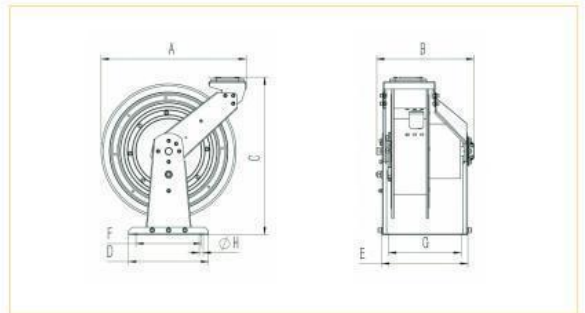
The extra large chassis with dual pedestal-style arms and strengthening the structural integrity of the reel. Making it perfect for off-road applications that demand reliability in the most abusive and demanding environments. Two swivel joints are distributed on both sides; Strength and recovery torque curve have been optimized more suitable for dual hoses use; The open source engineering makes the reels can better meet the needs of various customer, the reels can be easily disassembled to individual parts; (Be careful the injury of the high energy storage spring inside!! Do not disassemble without authorization!!)



POSSIBLE FIELDS OF SRTH SERIES

- Manufacturing Plants & Facilities 生产制造**
- Maintenance, Repair & Operations 修配修理**
- Automotive & Fleet Service Centers**
- 汽车以及船舶服务中心
- shipbuilding 造船**
- steel construction 钢结构**
- rescue 救援**

technical data OF SRTH SERIES



型号 Model Number	压力(MPA) Work Pressure	管径 (mm) Hose ID.	长度 (m) Length	卷盘进口 Inlet Type	卷盘出口 Outlet Type	卷盘尺寸 Reel Dimensions (mm)							
						A	B	C	D	E	F	G	H
						Overall Dimensions			Base		Mounting Pattern		
SRTH370D01016008	1.6	6	8	M16*1.5	M16*1.5	430	200	430	220	180	150	120	11
SRTH370D02016006	1.6	8	6	M16*1.5	M16*1.5	430	200	430	220	180	150	120	11
SRTH500D01016025	1.6	6	25	M16*1.5	M16*1.5	528	200	535	260	220	150	120	11
SRTH500D02016020	1.6	8	20	M16*1.5	M16*1.5	528	200	535	260	220	150	120	11
SRTH680D02016030	1.6	8	30	M16*1.5	M16*1.5	698	200	688	340	270	160	120	11

注：本系列产品标准使用温度为-20℃~+90℃，另本公司可提供-40℃~+200℃产品，如有特殊需求请与我司联系；所需卷盘材质以及安装方式请按照产品编码规则自行添加相应物料码；Note: Temperatures from -20℃ to +90℃ for this series, optional temperatures from -40℃ to +200℃ - must specify. Please contact with our company if you have special needs. Please add the corresponding code of the material and mounting dimensions according to the product coding rules. 本系列产品接受非标尺寸定制；Customized reels can be offered for this series.

!!本品使用时必须安装在有止火阀&安全阀保护的场合
The system must be protected by back-fire check valve when reels used of this series!!

SRS370 SRS500 SRS680 弹簧回收单管卷盘

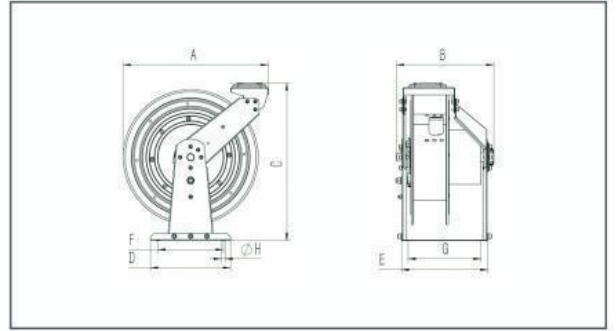
SRDH SERIES REEL SPECIFICATIONS

Capacity 容量 SRDH370 to handle 1/4"though5/16" I.D. dual hose .
 SRDH500 to handle 1/4"though1/2" I.D. dual hose .
 SRDH680 to handle 1/4"though3/4" I.D. dual hose .

Swivel 旋转密封 Superreel 采用全自主技术的旋转密封机构，高压下扭矩低；自润滑，磨损小；极限流量的设计，结构紧凑流量最大化；低压系列情况采用橡胶密封件，高压系列采用合成型聚酯填充材质，维护成本最小化；Superreel have its own intellectual property rights for many types of swivels, self-lubricating; Low torque when high pressure; maximum full flow details when design, compact - sized structure ; Rubber seals used in low pressure reels, Synthetic polyester in high pressure ; minimize the maintenance cost;

Design & Structure 结构和设计 紧凑型双支撑配合左右两侧入口,稳固可靠性高优化了更适用于双管的力度以及回收曲线；开放性的结构设计，全盘可轻松拆卸至单个零件（注意高储能弹簧伤害，勿擅自拆开）

The extra large chassis with dual pedestal-style arms and strengthening the structural integrity of the reel. Making it perfect for off-road applications that demand reliability in the most abusive and demanding environments. Large depth of the plate to prevent random of dual hose; Spring curve and torque curve are cooperated perfectly; Suitable for high strength and large load hydraulic occasion ; Open source engineering ;(Be careful the injury of the high energy storage spring inside!! Do not disassemble without authorization!!)



POSSIBLE FIELDS OF SRS SERIES

technical data OF SRS SERIES

air/water services 水/气服务 Manufacturing Plants & Facilities 生产制造 Pneumatic Tools 气动工具 Washdown 冲洗 Maintenance, Repair & Operations 修配修理 Lubrication 润滑加注 Chemical Fluid Transfer 化学品输送 Automotive & Fleet Service Centers 汽车以及船舶服务中心

型号 Model Number	压力(MPA) Work Pressure	管径 (mm) Hose ID.	长度 (m) Length	卷盘进口 Inlet Type	卷盘出口 Outlet Type	卷盘尺寸 Reel Dimensions (mm)							
						A	B	C	D	E	F	G	H
						Overall Dimensions			Base		Mounting Pattern		
SRS370D02016015	1.6	8	15	M16*1.5	BSPT1/4"	430	200	430	220	150	180	120	11
SRS370D03016012	1.6	10	12	M18*1.5	BSPT3/8"	430	200	430	220	150	180	120	11
SRS370D04016008	1.6	12	8	M20*1.5	BSPT1/2"	430	200	430	220	150	180	120	11
SRS370D04016010	1.6	12	10	M20*1.5	BSPT1/2"	430	200	430	220	150	180	120	11
SRS370D01300010	30	6	10	M16*1.5	BSPT1/4"	430	200	430	220	150	180	120	11
SRS370D02280008	28	8	8	M18*1.5	BSPT3/8"	430	200	430	220	150	180	120	11
SRS370D03250010	25	10	10	M18*1.5	BSPT3/8"	430	200	430	220	150	180	120	11
SRS370D04220006	22	12	6	M20*1.5	BSPT1/2"	430	200	430	220	150	180	120	11
SRS500D02016020	1.6	8	20	M18*1.5	BSPT3/8"	528	200	535	260	150	220	120	11
SRS500D03016020	1.6	10	20	M18*1.5	BSPT3/8"	528	200	535	260	150	220	120	11
SRS500D04016018	1.6	12	18	M20*1.5	BSPT1/2"	528	200	535	260	150	220	120	11
SRS500D06016009	1.6	19	9	M30*1.5	BSPT3/4"	528	200	535	260	150	220	120	11
SRS500D02280018	28	8	18	M18*1.5	BSPT3/8"	528	200	535	260	150	220	120	11
SRS500D03250015	25	10	15	M18*1.5	BSPT3/8"	528	200	535	260	150	220	120	11
SRS500D04220015	22	12	15	M20*1.5	BSPT1/2"	528	200	535	260	150	220	120	11
SRS500D06190008	19	19	8	M30*1.5	BSPT3/4"	528	200	535	260	150	220	120	11
SRS680D04016015	1.6	12	30	M20*1.5	BSPT1/2"	698	200	688	340	160	270	120	11
SRS680D06016015	1.6	19	15	M30*1.5	BSPT3/4"	698	200	688	340	160	270	120	11
SRS680D06016020	1.6	19	20	M30*1.5	BSPT3/4"	698	200	688	340	160	270	120	11
SRS680D07016015	1.6	25	15	BSPP1"	BSPP1"	698	270	688	340	230	270	200	11
SRS680D04220015	22	12	30	M20*1.5	BSPT1/2"	698	200	688	340	160	270	120	11
SRS680D06200015	20	19	15	M30*1.5	BSPT3/4"	698	200	688	340	160	270	120	11
SRS680D06200020	20	19	20	M30*1.5	BSPT3/4"	698	200	688	340	160	270	120	11
SRS680D07160015	16	25	15	BSPP1"	BSPP1"	698	270	688	340	230	270	200	11

注：本系列产品标准使用温度为-20℃~+90℃，另本公司可提供-40℃~+200℃产品，如有特殊需求请与我司联系；所需卷盘材质以及安装方式请按照产品编码规则自行添加相应物料码；
 Note: Temperatures from -20 °C to + 90 °C for this series, optional temperatures from -40 °C to + 200 °C - must specify. Please contact with our company if you have special needs. Please add the corresponding code of the material and mounting dimensions according to the product coding rules. 本系列产品接受非标尺寸定制；Customized reels can be offered for this series.

SRDH370 SRDH500 SRDH680 弹簧回收液压双管卷盘

SRDH SERIES REEL SPECIFICATIONS

Capacity 容量

SRDH370 to handle 1/4" though 5/16" I.D. dual hose.

SRDH500 to handle 1/4" though 1/2" I.D. dual hose.

SRDH680 to handle 1/4" though 3/4" I.D. dual hose.

Swivel 旋转密封

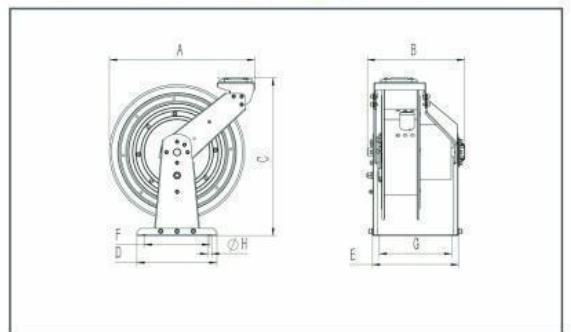
液压双管卷管器采用全自主技术的旋转密封机构，有压力补偿结构，对提升使用寿命以及降低高压下的转矩具有很大好处；极限流量的设计，结构紧凑流量最大化；本系列全部采用高精度合成聚酯以及聚四氟乙烯材质组合密封；

Reels for hydraulic dual hose have its own intellectual property rights. Pressure-compensated swivel extend the lifespan and reduce the torque when high pressure; full-flow; compact-sized; high precision synthetic polyester and PTFE seals both used;

Design & Structure 结构和设计

紧凑型双支撑配合左右两侧入口，盘体深度大，避免双管的混乱；弹簧曲线与扭力曲线完美配合，适于强度以及载荷大的液压场合；开放性的结构设计，全盘可轻松拆卸至单个零件；（注意高储能弹簧伤害，勿擅自拆开）；

The extra large chassis with dual pedestal-style arms and strengthening the structural integrity of the reel. Making it perfect for off-road applications that demand reliability in the most abusive and demanding environments. Large depth of the plate to prevent random of dual hose; Spring curve and torque curve are cooperated perfectly; Suitable for high strength and large load hydraulic occasion; Open source engineering; (Be careful the injury of the high energy storage spring inside!! Do not disassemble without authorization!!)



POSSIBLE FIELDS OF SRDH SERIES

air/water services 水/气服务 Manufacturing Plants & Facilities 生产制造 Pneumatic Tools 气动工具 Washdown 冲洗 Lubrication 润滑加注 Maintenance, Repair & Operations 修配修理 Chemical Fluid Transfer 化学品输送 Automotive & Fleet Service Centers 汽车以及船舶服务中心

technical data OF SRDH SERIES

!!本品使用时必须按照进油和出油回路进行安装使用

!!The input circuit and output circuit must be treated differently when assembled with hydraulic power:

型号 Model Number	压力(MPA) Work Pressure	管径 (mm) Hose ID.	长度 (m) Length	卷盘进口 Inlet Type	卷盘出口 Outlet Type	卷盘尺寸 Reel Dimensions (mm)							
						A	B	C	D	E	F	G	H
						Overall Dimensions			Base		Mounting Pattern		
SRDH370D01300008	30	6	8	M16*1.5	M16*1.5	430	200	430	220	150	180	120	11
SRDH500D01300018	30	6	18	M16*1.5	M16*1.5	528	200	535	260	150	220	120	11
SRDH500D02280015	28	8	15	M16*1.5	M16*1.5	528	200	535	260	150	220	120	11
SRDH500D03250012	25	10	12	M18*1.5	M18*1.5	528	200	535	260	150	220	120	11
SRDH500D04220008	22	12	8	M20*1.5	M20*1.5	528	200	535	260	150	220	120	11
SRDH680D04220015	22	12	15	M20*1.5	M20*1.5	698	200	688	340	160	270	120	11
SRDH680D06190008	19	19	8	M27*1.5	M27*1.5	698	270	688	340	230	270	200	11

注：本系列产品标准使用温度为-20℃~+90℃，另本公司可提供-40℃~+200℃产品，如有特殊需求请与我司联系；所需卷盘材质以及安装方式请按照产品编码规则自行添加相应物料码；
Note: Temperatures from -20 °C to +90 °C for this series, optional temperatures from -40 °C to +200 °C - must specify. Please contact with our company if you have special needs. Please add the corresponding code of the material and mounting dimensions according to the product coding rules. 本系列产品接受非标尺寸定制；Customized reels can be offered for this series.

!!本品不可代替工程往复使用，如需求BOOMREEL请转至第14页

This series cannot be used instead of boomreel, the reels for telescopic boom in the page 14th.

SRSC370 SRSC500 SRSC680 弹簧回收电缆卷盘/电焊卷盘

SRSC SERIES REEL SPECIFICATIONS

Capacity 容量

SRDH370 to handle 6mm though 14 mm O.D.cable .SRTH500 to handle 6mm though 22 mm O.D.cable .
SRTH680 to handle 14mm though 30mm O.D.cable .

Slip ring 电滑环

Superreel 电滑环部分自主设计专业代工, 在实现安全可靠的基础上最好的与卷盘配合, 滑环类型主要有碳刷铜环型、贵金属型以及全铜陶瓷结构类型, 安全系数高;

The Superreel sliprings are autonomously designed by Heimher, and produced by professional slipring manufacturer, that make it cooperate with mechanical mechanism perfectly, and good reliability; We have the brush type, noble metal type and ceramic structure type, the safety coefficient is very high;

Cable 电缆

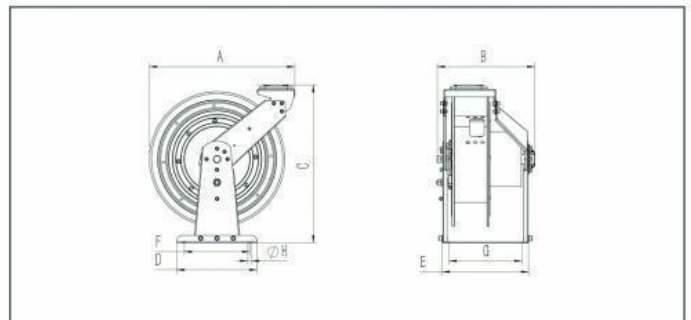
Superreel 电缆卷盘所配置电缆结构均为heimher自主设计的更适合于卷盘工况的电缆, 其具有抗拉、耐磨、耐油、耐候的产品特点;

The cables used in superreel are specially designed to meet the complex condition by Heimher; High tensile strength, abrasion resistant, oil resistant, very good weather-resistance;

Design & Structure 结构和设计

电缆卷盘结构分单侧支撑型以及双侧支撑型, 双支撑型更适合重载车载的场合, 单侧支撑型更适合于实验室工厂等轻载的场合, 更易于携带与移动; 单/双支撑均可用于各种动力电源、电信号以及音视频信号的传输;

Both single brace type and dual brace type are available for cable reels; dual brace type more suitable for high-strength applications, single brace type more suitable for light-duty; They both can be used for transmit kinds of power and signals. Superreel power cord and light reels offer many different styles of outlets and lamps;



POSSIBLE FIELDS OF SRSC SERIES

Light source 照明供电 Manufacturing Plants & Facilities 生产制造
power Tools 电动工具 rescue 救援 workshop 车间
Maintenance, Repair & Operations 维修修理 signal transmission 信号传输

technical data OF SRSC SERIES

型号 Model Number	电压(V) Volts	电流(A) Ampere	芯数 Number of Conductors	线径 (mm ²) cord size	长度 (m) Length	进口电缆形式 Inlet Type	出口电缆形式 Outlet Type	卷盘尺寸 Reel Dimensions (mm)							
								A	B	C	D	E	F	G	H
								Overall Dimensions			Base		Mounting Pattern		
SRSC370D04025010	220/380	15	4	2.5	10	Industrial plugs	Industrial sockets	430	297	430	220	237	180	200	11
SRSC370S03015010	220	10	3	1.5	10	three pin plug	five hole Sockets	430	297	430	220	237	180	200	11
SRSC370S16010010	24/12	2	16	1	8	Bare wires	Bare wires	430	297	430	220	237	180	200	11
SRSC500D04025015	220/380	15	4	2.5	15	Industrial plugs	Industrial sockets	528	297	535	260	237	200	200	11
SRSC500S04015010	220	10	4	1.5	15	three-pin plug	five hole Sockets	528	297	535	260	237	200	200	11
SRSC500S01300010	30	300	1	40	10	Bare wires	Bare wires	528	297	535	260	237	200	200	11
SRSC680D04025030	220/380	15	4	2.5	30	Industrial plugs	Industrial sockets	698	297	688	340	243	270	200	11
SRSC680D04060020	220/380	35	4	6.0	20	Bare wires	Bare wires	698	297	688	340	243	270	200	11

! 电缆卷盘规格较多, 表格中仅为部分常用型号 Cable reel with multiple specifications, only part of commonly used models in the table.

注: 本系列产品标准使用温度为 -20°C ~ +120°C, 另本公司可提供 -40°C ~ +320°C 产品, 如有特殊需求请与我司联系; 所需卷盘材质以及安装方式请按照产品编码规则自行添加相应物料码;
Note: Temperatures from -20 °C to + 90 °C for this series, optional temperatures from -40 °C to +200 °C - must specify. Please contact with our company if you have special needs. Please add the corresponding code of the material and mounting dimensions according to the product coding rules.

本系列产品接受非标尺寸定制, 电流最大可达到500A, 电滑环芯数最多可达60芯;

Customized reels can be offered for this series, the maximum current can reach to 500A, the electrical slip-ring core number of electrical slip-ring up to 60 core;

MR&PR(manual & power rewind series) 手动/液压/电机/压缩空气 驱动卷盘

SRSR SERIES REEL SPECIFICATIONS

Capacity 容量

MRSR 370 to handle 1/4" though 1/2" I.D. hose .MRSR 500 to handle 1/4" though 3/4" I.D.hose .

Swivel 旋转密封

MRSR系列产品在旋转密封上采用外置分离式结构，内部结构与SRSR保持一致，更加便于软管 的安装；

Swivels are independent design in this MRSR370 series, the inner structure is same as SRSR's, easy to install hose;

Design & Structure 结构和设计

紧等效大平面的安装底面使其更具固定安装后的超稳固特性，容量大；弯管式出口压力损失小，流量大；手摇机构符合人体工学设计；全系列配置盘体锁，实现盘体随时锁定；

The large mounting surface more stable; large capacity; low pressure loss and large flow as the goose neck used; hand crank is ergonomic design; Latch locking standard equipped to lock at any time;

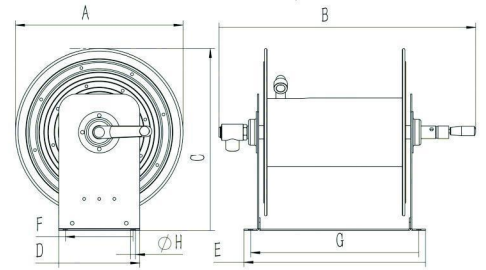
technical data OF MRSR 370SERIES

型号	压力	容量	管径	卷盘进口	卷盘出口	卷盘尺寸 Reel Dimensions (mm)							
						A	B	C	D	E	F	G	H
MRSR37002280060	28	60	8	BSPT1/2"	BSPT1/2"	370	530	403	180	403	150	373	11
MRSR37003250050	25	50	10	BSPT1/2"	BSPT1/2"	370	530	403	180	403	150	373	11
MRSR37004200040	20	40	12	BSPT1/2"	BSPT1/2"	370	530	403	180	403	150	373	11

本产品出厂不含管

Overall Dimensions Base Mounting Pattern

SPECIFICATIONS



注：本系列产品标准使用温度为-20℃~+120℃，另本公司可提供-40℃~+320℃产品，如有特殊需求请与我司联系；所需卷盘材质以及安装方式请按照产品编码规则自行添加相应物料码；本系列产品接受非标尺寸定制；

Note: Temperatures from -20 °C to + 90 °C for this series ,optional temperatures from -40 °C to +200 °C -must specify. Please contact with our company if you have special needs.

Please add the corresponding code of the material and mounting dimensions according to the product coding rules.

Note: This series product standards using temperature is 20 °C ~ + 120 °C,

and the company can provide other products - 40 °C ~ + 320 °C, if you have any special requirements please contact us;

The required reel material and installation, please according to the product code encoding rules to add the corresponding materials;

This series product to accept non-standard sizes, high pressure can be up to 35

Slipring 电滑环

MRSC370系列采用内置过孔式滑环，体积更大，安全系数更高；

Design & Structure 结构和设计

MRSC370系列卷盘专为大容量电缆带电收放设计，其具有安装简单使用便捷的特点，标配摇柄以及卷盘锁；

MRSC370 is designed for over long cable management, simple installation easy to use, with robust latch and operating crank;

technical data OF MRSC 370SERIES

型号	电压	电流	芯数	线径	长度	卷盘进口	卷盘出口	卷盘尺寸 Reel Dimensions (mm)							
								A	B	C	D	E	F	G	H
MRSC37004025100	380	15	4	2.5	100	three-pin plug	five hole Sockets	370	530	403	180	403	150	373	11
MRSC37003015120	380	10	4	1.5	120	three-pin plug	five hole Sockets	370	530	403	180	403	150	373	11
MRSC37016010080	24/12	2	16	1	80	Bare wires	Bare wires	370	530	403	180	403	150	373	11

电缆以及接插件可选配

Overall Dimensions Base Mounting Pattern

SPECIFICATIONS



MRSC370SERIES

With slipring inside

注：本系列产品标准使用温度为-20℃~+60℃，另本公司可提供-40℃~+200℃产品，如有特殊需求请与我司联系；所需卷盘材质以及安装方式请按照产品编码规则自行添加相应物料码；

Note: Temperatures from -20 °C to + 60 °C for this series ,optional temperatures from -40 °C to +200 °C -must specify. Please contact with our company if you have special needs.

Please add the corresponding code of the material and mounting dimensions according to the product coding rules.

本系列产品接受非标尺寸定制，电流最大可达到500A，电滑环芯数最多可达60芯；

Customized reels can be offered for this series, the maximum current can reach to 500A, the electrical slip-ring core number of electrical slip-ring up to 60 core;

MR&PR(manual & power rewind series) 手动/液压/电机/压缩空气 驱动卷盘

Capacity 容量

EPRSH500 to handle 1/4"though3/4"LD.hose .

Swivel 旋转密封

结构紧凑容量大，配置轴装调速电机，速度可调，传动效率更高更安全；外置式旋转接头便于软管安装；特别适合长距离的高压清洗等场合，适合车载安装；

Compact structure, large capacity, configuration axis with adjustable speed motor, adjustable speed, higher transmission efficiency and more safety; The external swivel joint is convenient for the installation of the hose, which is especially suitable for long distance and high pressure cleaning, suitable for vehicle installation, etc.

Design & Structure 结构和设计

专为大口径设计的双层径向压力型旋转密封机构，能够满足大口径密封需要的低扭力以及高安全性的要求；

Double layer radial pressure type rotary sealing mechanism designed for large diameter, to meet the needs of low torque and high security requirements.

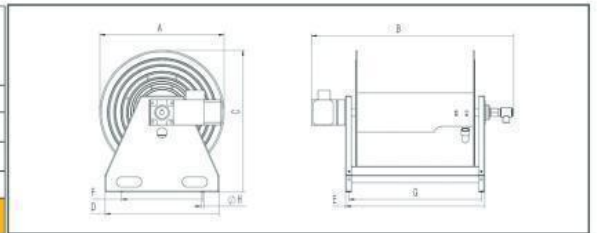


SPECIFICATIONS

technical data OF EPRSH 500SERIES

We also supply HPR&PPR type

型号	压力	容量	管径	卷盘进口	卷盘出口	卷盘尺寸 Reel Dimensions (mm)							
						A	B	C	D	E	F	G	H
EPRSH50003350075	35	75	10	M27*1.5	BSPT3/4"	500	810	565	450	550	320	523	11
EPRSH50004350050	35	50	12	M27*1.5	BSPT3/4"	500	810	565	450	550	320	523	11
本产品出厂不含管,标配220V交流电机;						Overall Dimensions		Base		Mounting Pattern			
V电机救援中液压破碎工具的动力传输, This product is very suitable for hydraulic rescue tools' power transmission in fast rescue.													



Capacity 容量

EPRDH370 to handle 1/4"though3/4"LD.hose .

Design & Structure 结构和设计

双管电机驱动卷盘非常适合长距离液压力输送，容量大，进回油油路两侧区分布置，外置旋转接头易于软管安装；A类型无离合器，电机在收放卷均提供动力，B类型配置离合器，电机只在收卷时工作，可实现人工快速放卷；

Motor driven dual hose reel is well suited for long distance hydraulic power transmission, high capacity, Independent swivel joint on both sides; for type A, winding and rolling all by motor power; for B type, there is a clutch to realize rapid artificial volume, the motor only work when rolling;



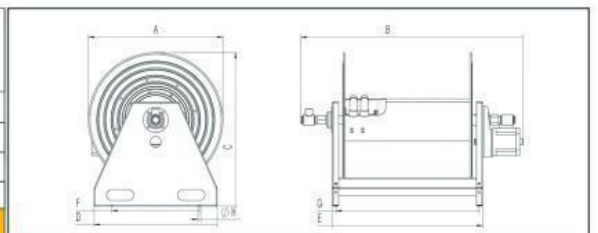
SPECIFICATIONS

EPRDH500 SERIES

technical data OF EPRDH500SERIES

We also supply HPR&PPR type

型号	压力	容量	管径	卷盘进口	卷盘出口	卷盘尺寸 Reel Dimensions (mm)							
						A	B	C	D	E	F	G	H
EPRDH50003350045	35	45	10	M27*1.5	BSPT3/4"	500	810	565	450	550	320	523	11
EPRDH50004350030	35	30	12	M27*1.5	BSPT3/4"	500	810	565	450	550	320	523	11
本产品出厂不含管,标配220V交流电机;						Overall Dimensions		Base		Mounting Pattern			
V电机救援中液压破碎工具的动力传输, This product is very suitable for hydraulic rescue tools' power transmission in fast rescue.													



MR&PR(manual & power rewind series) 手动/液压/电机/压缩空气 驱动卷盘

Capacity 容量

MRDH370 to handle 1/4"though5/16"LD.hose .

Design & Structure 结构和设计

MR500S系列即快速型手摇卷盘,分“DH”双管型以及“C”电缆型,根据客户具体使用要求在软管或者电缆两端部配置快装型的高压快速接头或者快速接插件,可以实现阻尼可调的快速收放,全系配置阻尼调节器实现转动阻尼调节以及任意位置锁止;高性价比的特点使其也适用于做软管电缆的单纯收纳使用;

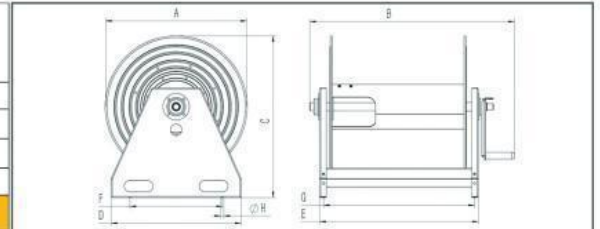
MR500S series namely speed manual reel, "DH" double tube type and "C" cable type. According to customers specific requirements on the hose or cable ends installation of high pressure quick connector or quick connectors, can be achieved with adjustable damping and quickly retracting, the whole system configuration of damping regulator realize rotary damping adjustment and arbitrary position locking. The characteristic of cost-effective makes it applies to the simply use as cable hose storage;



technical data OF MRDH 500SERIES

型号	压力	容量	管径	卷盘进口	卷盘出口	卷盘尺寸 Reel Dimensions (mm)							
						A	B	C	D	E	F	G	H
MRDH50003350045	35	45	75	BSP T3/8"	BSP T3/8"	500	780	565	450	550	320	523	11
MRDH50004350030	35	30	50	BSP T1/2"	BSP T1/2"	500	780	565	450	550	320	523	11
本产品出厂不含管						Overall Dimensions		Base		Mounting Pattern			

注: 本产品非常适合快速救援中液压破拆工具的动力传输, This product is very suitable for hydraulic rescue tools' power transmission in fast rescue.



Capacity 容量

EPRSH680 to handle 1/4"though2"LD.hose .

Swivel 旋转密封

SEPRSH680系列旋转密封机构采用超大流量的直通式设计, 适用于大口径输送对流量的准确要求;

The straight-through type swivel design for super large flow is adopted in SEPRSH680 series, which is suitable for the accurate requirements of large-sized transmission on the flow;

Design & Structure 结构和设计

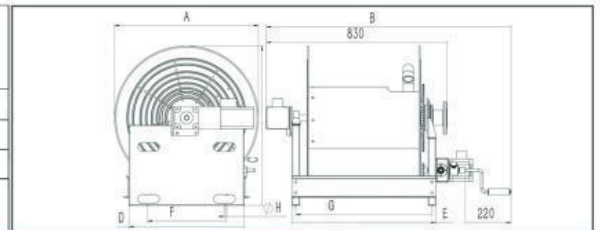
紧凑型大扭矩电机驱动, 扭力、速度可调; 电机软启动特性以及链传动可实现对软管的保护; A型为左侧轴装电机无手摇机构, B型为右侧电机链传动配手摇机构, C型为右侧减速手摇型;

The compact-type large torque motor drive, the torque and speed can be adjusted; the soft-start (SS) characteristics of the motor as well as the chain drive can realize the protection on hose; A-type is the left-side axle-style motor without manual mechanism. B-type is the right-side motor chain drive equipped with manual mechanism and the C-type is the manual type of right-side



technical data OF EPRSH680 SERIES

型号	压力	容量	管径	卷盘进口	卷盘出口	卷盘尺寸 Reel Dimensions (mm)							
						A	B	C	D	E	F	G	H
EPRSH68010020020	2	20	50	flange	M52*2	680	1165	744	530	663	360	629	13
EPRSH68009020030	2	30	38	flange	M52*2	680	1165	744	530	663	360	629	13
						Overall Dimensions		Base		Mounting Pattern			



注: 本系列产品标准使用温度为-20℃~+60℃, 另本公司可提供-40℃~+200℃产品, 如有特殊需求请与我司联系; 所需卷盘材质以及安装方式请按照产品编码规则自行添加相应物料码; 本系列产品接受非标尺寸定制;

Note: This series product standards using temperature is 20 ℃ ~ + 120 ℃, and the company can provide other products - 40 ℃ ~ + 320 ℃, if you have any special requirements please contact us; . The required reel material and installation, please according to the product code encoding rules to add the corresponding materials; . This series product to accept non-standard sizes, high pressure can be up to 35 mpa.

Frame reel & TB 大型框架卷盘/平衡器/防静电卷盘

Frame SERIES REEL SPECIFICATIONS

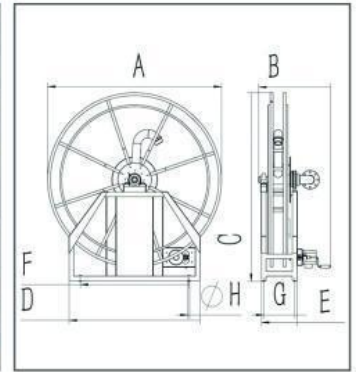
Capacity 容量

Frame reel to handle 3"though 1.0.hose.

Design & Structure 结构和设计

软管在卷盘轴向单层布置,大扭矩电机驱动,软启动保护软管以及接头;进出口均为弯管形式,保证流量;卷盘底部可配置滚轮或支撑脚;配置备用手摇机构;可灵活用于机场地井固定安装或者风机换油等车载的场合;全自主技术的旋转密封机构,自润滑,磨损小;极限流量的设计,结构紧。

Reel with Single Wrap design, driven by large torque motor, soft-start(SS) can protect the hose and connectors, goose neck-type inlet and outlet, which allows smooth hose wrapping and unimpeded flow. Reel bottom can be configured with wheel or the supporting foot, which is can be flexible used for airport and wind turbines oil changing and other vehicle situation. hand crank is ergonomic design;



机场加油



风机换油

technical data OF Frame reel

型号 Model Number	压力(MPA) Work Pressure	管径 (mm) Hose ID.	长度 (m) Length	卷盘进口 Inlet Type	卷盘出口 Outlet Type	卷盘尺寸 Reel Dimensions (mm)							
						A	B	C	D	E	F	G	H
						Overall Dimensions			Base		Mounting Pattern		
F75016015	1.6	75	15	flange	BSPP3"	1860	768	2018	1397	380	1160	330	18
F100016015	1.6	100	15	flange	BSPP4"	1860	798	2018	1397	410	1160	360	18

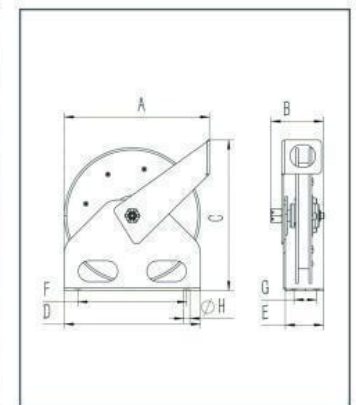
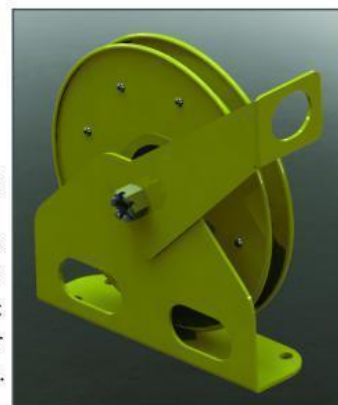
注: .本系列产品标准使用温度为-20°C~+120°C; 所需卷盘材质以及安装方式请按照产品编码规则自行添加相应物料码;
Note: Temperatures from -20 °C to + 120 °C for this series ;

TB SERIES REEL SPECIFICATIONS

Design & Structure 结构和设计

TB 系列产品-A可用于平衡重物, B系列用于静电的释放,可装载在油罐车等危化品传输场合,其产品特色在于使用的便捷性以及力量与负载的精确计算, A类标配吊钩, B类标配导电夹;

TB series of products- A-type can be used to balance weights, B-type are used to ground equipment operating in hazardous atmo-spheres. When properly clamped to ground, the static discharge reel dissipates static electrical buildup, reducing the chances of sparking and the potential for explosion. A-type with standard hook, B-type with standard conductive clip.



型号 Model Number	缆绳外径 (mm) Wirerope OD.	长度 (m) Length	卷盘进口 Inlet Type	卷盘出口 Outlet Type	卷盘尺寸 Reel Dimensions (mm)							
					A	B	C	D	E	F	G	H
TBA-608	6	8	/	lifting hook	300	85	335	300	75	260	45	11
TBB-612	6	12	conductive clip	conductive clip	300	85	335	300	75	260	45	11

B (BH&BC) 工程臂架往复卷盘/叉车卷盘

SRBH SERIES REEL SPECIFICATIONS

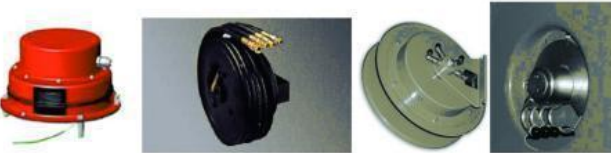
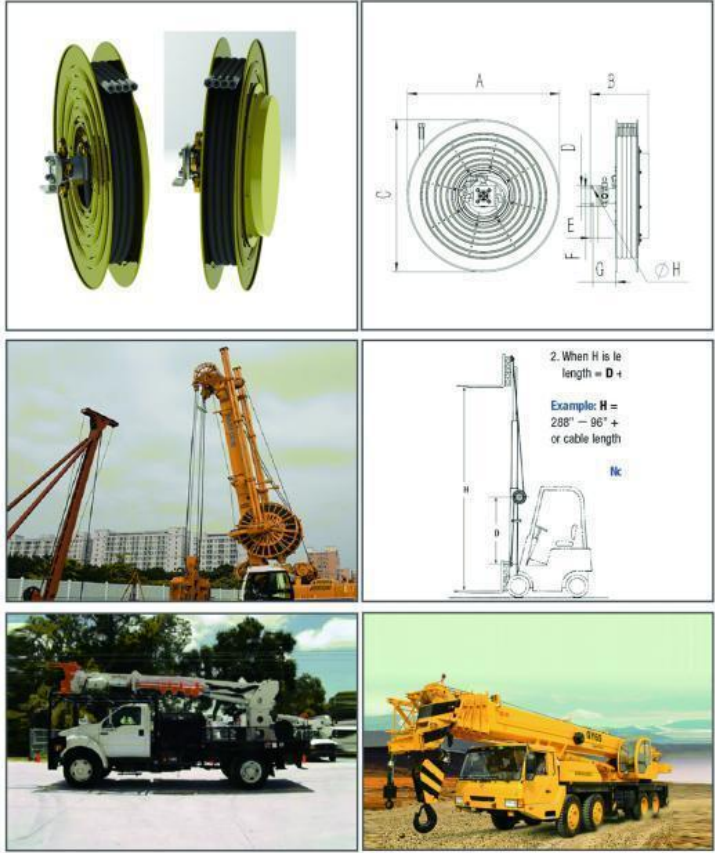
Swivel 旋转密封

工程臂架用卷盘卷盘旋转密封机构全系列采用B+S纯进口组合密封件，为多通道一体式；电缆系列采用军工级电滑环，可以适应复杂的车载作业环境，IP65等级；Trelleborg seal are used in the with multiple-flow-paths swivel of boom reel; Military level slip ring; IP 65;

Design & Structure 结构和设计

多通道臂架/行车/叉车卷盘均为侧面安装，紧凑型的设计，占用空间小，高载荷高强度的工作寿命设计使其特别适合工程类车辆以及叉车等的作业要求，软管以及电缆均为heimler自主设计的能够满足长时间往复大拉力动作的结构，能够适应各种地域以及极端气候；

Reels used for reciprocating mechanical arm and boom are all side mounting; compact design; little space occupation; high mechanical strength, it can stand heavy load; long service life; suitable for engineering vehicle and forklift and bridge crane, etc. The cables used in boom-reel are specially designed to meet the complex condition by Heimler; high tensile strength, abrasion resistant, oil resistant, very good weather-resistance;



technical data of BH(HOSE) SERIES

型号 Model Number	压力(MPA) Work Pressure	管径 (mm) Hose ID.	长度 (m) Length	卷盘进口 Inlet Type	卷盘出口 Outlet Type	卷盘尺寸 Reel Dimensions (mm)							
						A	B	C	D	E	F	G	H
BH68001300016	30	6	16	M16*1.5	M16*1.5	680	254	680	90	35	70	25	11
BH68003250012	25	10	12	M18*1.5	M18*1.5	680	254	680	90	35	70	25	11

注：本系列产品标准使用温度为-20℃~+120℃，另本公司可提供-40℃~+320℃产品，如有特殊需求请与我司联系；
所需卷盘材质以及安装方式请按照产品编码规则自行添加相应物料码； 本系列产品接受非标尺寸定制，最高压力可达35MPa；
Note: This series product standards using temperature is 20 °C ~ + 120 °C, and the company can provide other products - 40 °C ~ + 320 °C, if you have any special requirements please contact us;
The required reel material and installation, please according to the product code encoding rules to add the corresponding materials;
This series product to accept non-standard sizes, high pressure can be up to 35 Mpa;

technical data of BC(Cable) SERIES

型号	电压	电流	芯数	线径	长度	卷盘进口	卷盘出口	卷盘尺寸 Reel Dimensions (mm)							
								A	B	C	D	E	F	G	H
BC370D04025010	220/380	15	4	2.5	10	Bare wires	Bare wires	370	254	370	90	35	70	25	11
BC500D04025010	220/380	15	4	2.5	15	Bare wires	Bare wires	500	254	500	90	35	70	25	11
BC680D04025030	220/380	15	4	2.5	30	Bare wires	Bare wires	680	254	680	90	35	70	25	11

!电缆卷盘规格较多，表格中仅为部分常用型号Cable reel with multiple specifications,

only part of commonly used models in the table.

注：本系列产品标准使用温度为-20℃~+120℃，另本公司可提供-40℃~+200℃产品，如有特殊需求请与我司联系；.所需卷盘材质以及安装方式请按照产品编码规则自行添加相应物料码；
本系列产品接受非标尺寸定制，电流最大可达到500A，电滑环芯数最多可达60芯；
Note:Temperatures from -20 °C to + 90 °C for this series ,optional temperatures from -40 °C to +200 °C-must specify.P lease contact with our company if you have special needs.
Please add the corresponding code of the material and mounting dimensions according to the product coding rules.Customized reels can be offered for this series, the maximum current can reach to 500A, the electrical slip-ring core number of electrical slip-ring up to 60 core;

VAP & CUST 油气回收用卷盘/非标定制卷盘

VAP SERIES REEL SPECIFICATIONS

Capacity 容量

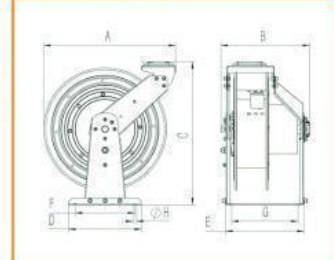
VAP SERIES to handle 5/8" though 3/4" VAP hose.

Swivel 旋转密封

油气回收旋转密封机构为一体式多通道型，配置氟橡胶密封圈，能够与油气回收管接头直接配合使用；
The swivel for VAP reel is one-piece type with multi flow channel, viton seal;

Design & Structure 结构和设计

油气回收卷盘设计紧凑，操作便捷，能够适应加油站等自助式的加油方式，并实现对易挥发油气的有效回收，可吊装或墙壁安装，节省有限的加油空间，适合老城区加油站加油工位的扩容等；
Compact design; Handle easily; very suitable for self-serve gas station, to implement effective recovery of volatile oil and gas; Wall and top mounted; little space occupation;

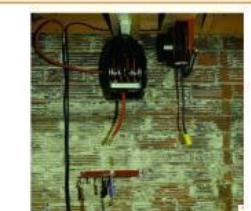


VAP SERIES REEL SPECIFICATIONS

型号 Model Number	压力(MPA) Work Pressure	管径 (mm) Hose ID.	长度 (m) Length	卷盘进口 Inlet Type	卷盘出口 Outlet Type	卷盘尺寸 Reel Dimensions (mm)							
						A	B	C	D	E	F	G	H
						Overall Dimensions			Base		Mounting Pattern		
VAP68001300016	1.6	16	15	M34*1.5	M34*1.5	698	270	688	340	230	270	200	11
VAP68003250012	1.6	20	15	M34*1.5	M34*1.5	698	270	688	340	230	270	200	11

注：. 本系列产品标准使用温度为-20℃~+60℃；所需卷盘材质以及安装方式请按照产品编码规则自行添加相应物料码；
Note: Temperatures from -20 °C to + 60 °C for this series ;

Customized Reels



专注卷盘产品近十年，有着丰富的非标产品以及自动化设备的经验以及能力的巨山企业，在不断完善其标准产品线的同时，其独立的非标设计中心也为客户提供量身定做的卷盘产品，与客户系统无缝对接；并因有效的成本以及质量控制，配合其灵活的售后跟踪服务，其非标产品也极具竞争力；

Moniped focus on reel product for nearly a decade, with rich experience in reel and automation equipment design, while standardized product undergoing continuous improvements and innovations, customized design center also provide tailor-made products to our customers, control cost and quality effectively, and with its flexible after-sale tracking service, the customized products is also very competitive.